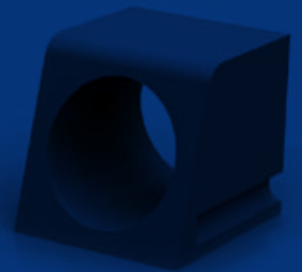




# NOW AVAILABLE

## ROAD SAFETY GRATING'S RECYCLED RUBBER KERB ADAPTORS

- Load Tested to 8 Tonne Single Point Load
- Available in Charcoal Black and Grey
- B2 and SM2 Styles Available
- Return to Within 1mm
- Adaptors for 90mm Pipe and Rectangular 100x50mm Culverts Available
- Volume Buy Discounts
- Environmentally Friendly

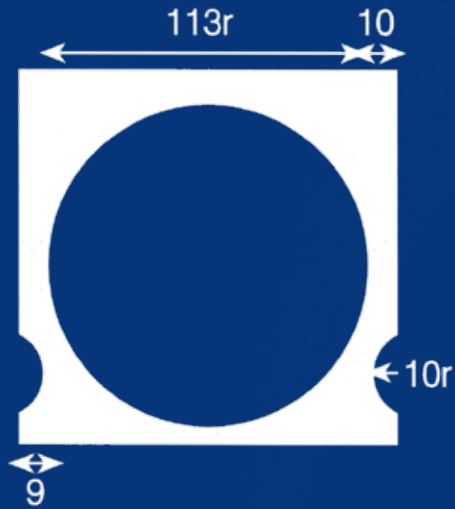


**ORDER NOW - STOCK AVAILABLE**

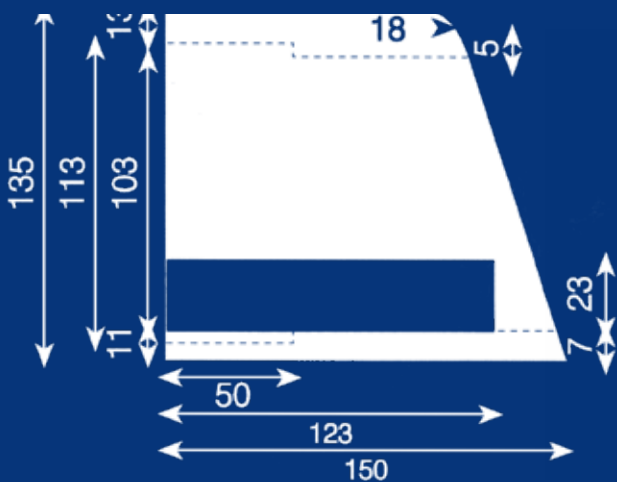
**(03) 9238 5888**

**E:** [sales@grating.com.au](mailto:sales@grating.com.au) [www.grating.com.au](http://www.grating.com.au)

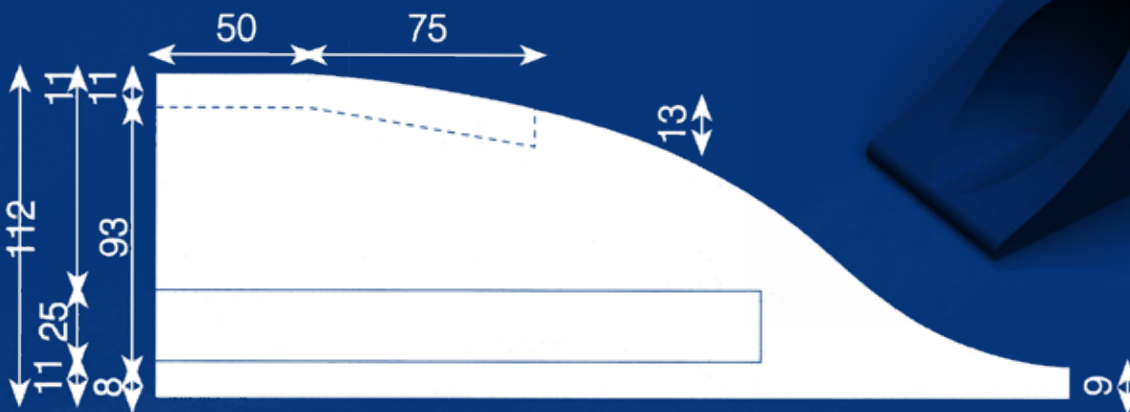
# RECYCLED RUBBER KERB ADAPTORS



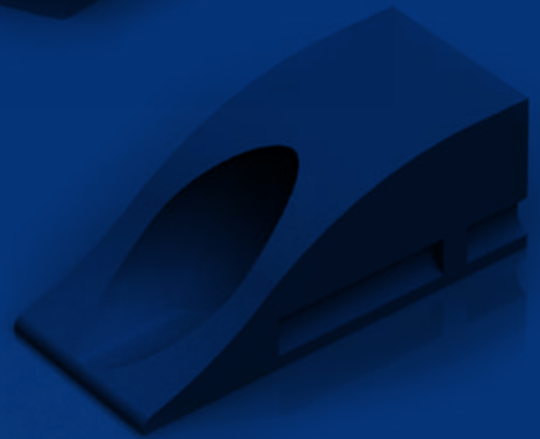
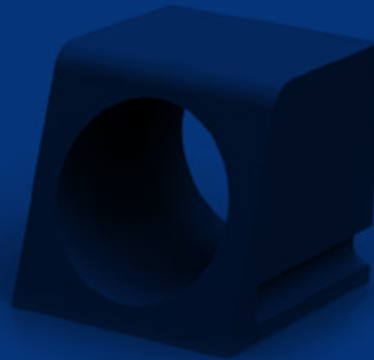
- Adapts to 90mm or 100mm pipes
- Load tested to 8 tonnes
- Concrete or charcoal colour



**B2 kerb**



**SM2 rollover kerb**



ORDER NOW - STOCK AVAILABLE

**(03) 9238 5888**

**E:** [sales@grating.com.au](mailto:sales@grating.com.au)

[www.grating.com.au](http://www.grating.com.au)