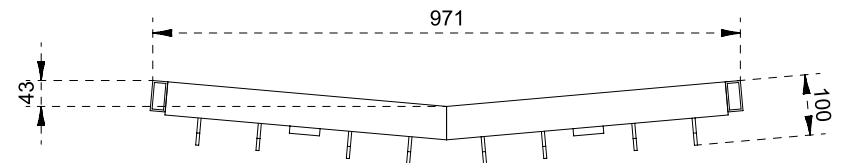
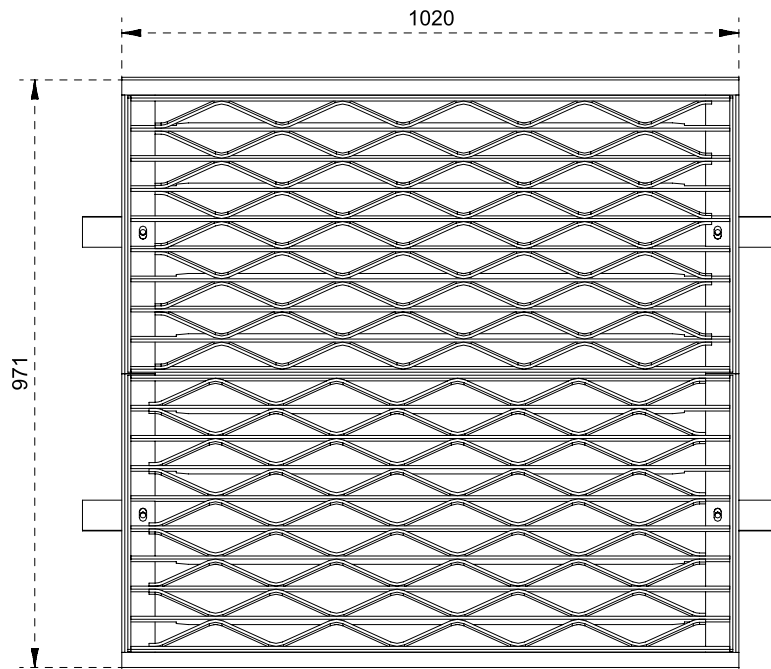
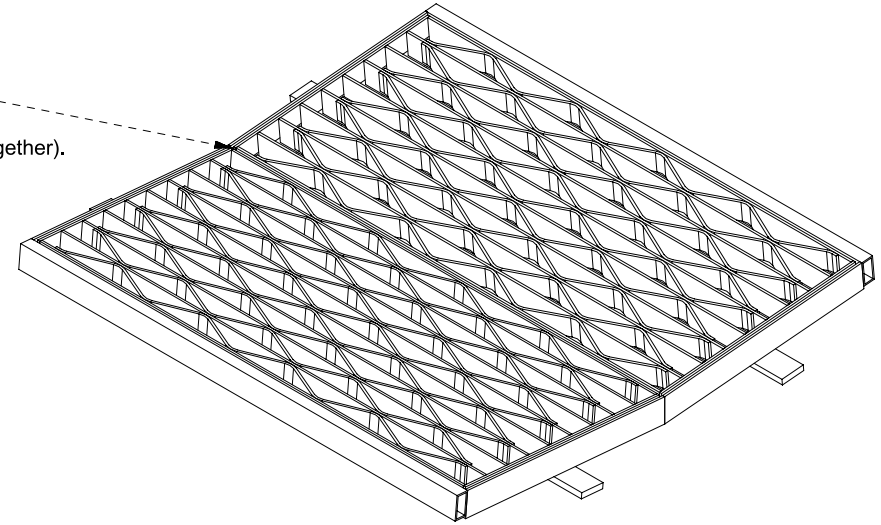


SG-H-MSG-EWV9090

Feature	Value	Notes
Overall Grate Size (mm)	1000x455x50	Each grate. Two grates make up product. Does not include notched bars.
Overall Frame Size (mm)	1020x971x55	
Grate Weight (kg)	41.5	Each grate. Total weight of grates is 83.0 kg.
Frame Weight (kg)	16.5	
Total Product Weight (kg)	99.5	
Grate Open Surface Area (m ²)	0.712 (78.3%)	
Class Rating (AS3996 - 2006)	D	
Ultimate Limit State Load (kN)	210	
Servicability Limit State Load (kN)	140	
Nominal Wheel Loading (kg)	8000	
Product Finish	Galvanised	

40mm drop from edge of grate to centre.
Grates separate (not welded together).



ROAD SAFETY GRATING
13 HEALEY RD
DANDENONG SOUTH, VIC 3175
PH: (03) 9238 5888
FAX: (03) 9238 5800
EMAIL: sales@grating.com.au
WEB: www.grating.com.au

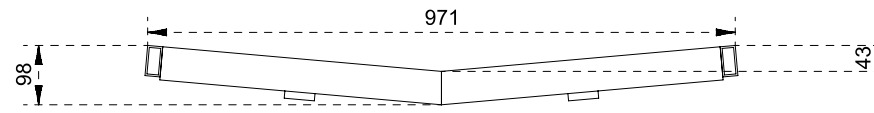
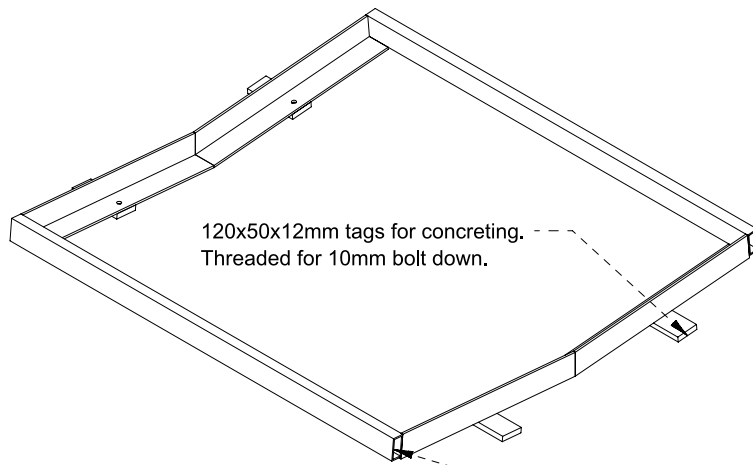
Attachments
a
b
c
d
e
f
g

Disclaimer
Drawings are provided in good faith and for use by the intended recipient only. Drawings remain the property of Straighmark Nominees Pty Ltd T/A Road Safety Grating (R&S). If this drawing has been received in error, or you are not the intended recipient, please delete it immediately and notify Road Safety Grating.
Drawings are not to be transferred to a third party without written consent from Road Safety Grating. Road Safety Grating accepts no liability for misuse of, or reliance on, this drawing. If in doubt about any details on the drawing, please contact Road Safety Grating.

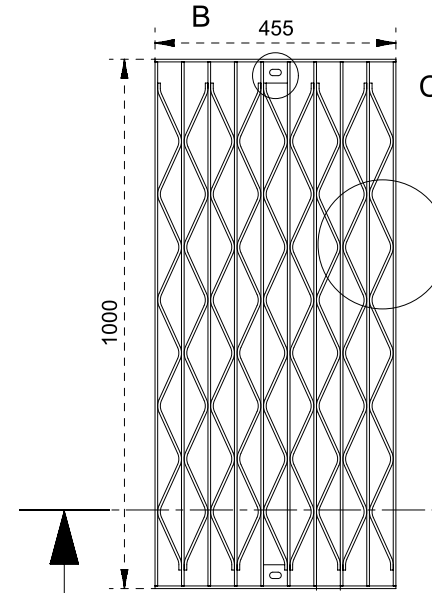
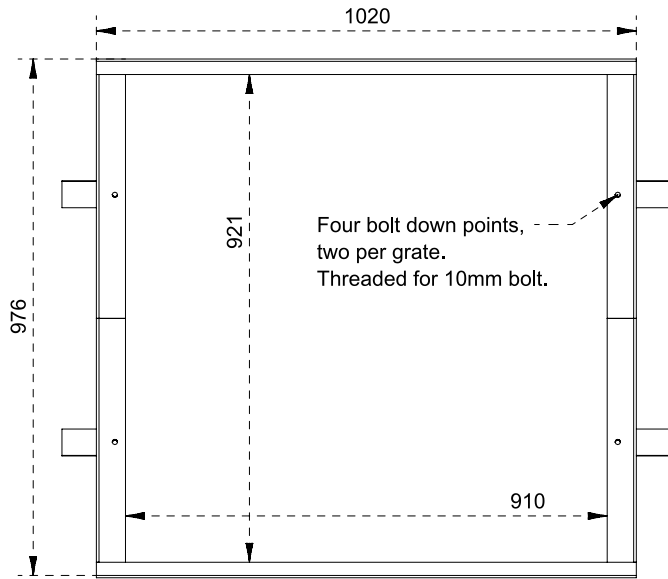
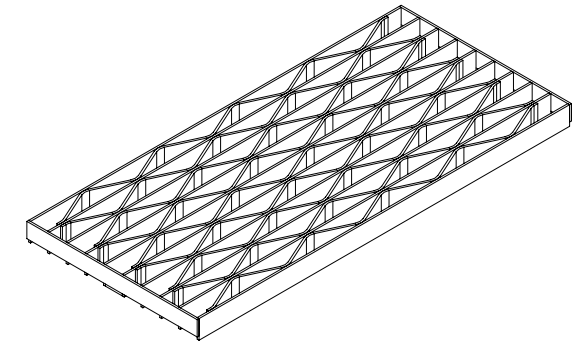
Sheet Information	
No.	Description
1	Grate & Frame Overview
2	Grate & Frame Details
3	
4	
5	
6	

Sheet No.		1 of 2	
Scale			
AS NOTED, ONLY VALID WHEN PRINTED ON A4			
QTY	Part File Name	Part Weight (kg)	Sheets
2	sg-h-msg-ewv9045g1	41.5	1, 2
1	sg-h-msg-ewv9090f1	16.5	1, 2

Title			
Eco-Weaved "V" G&F: 900x900mm P/S, Heavy Duty (Class D), Bolt Down			
Subtitle		Galvanised	
Class Rating (AS3996 - 2006)	D	Product Code	sg-h-msg-ewv9090
Drawing No.	ps_sg-h-msg-ewv9090	Primary Material	Galvanised MS
Version No.	1.0	Previous Versions	Nil
Designed	N/A	Drawn	TH
Date	N/A	Date	31/05/2016
Approved	CT	Date	31/05/2016



Open ends on 50x25x3mm RHS.

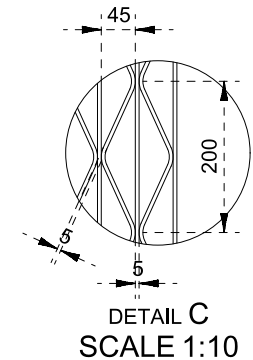
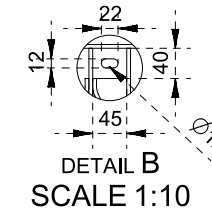


50x5mm load bar.
QTY: 6 (per grate), 12 (total).

100x5mm notched bar.
QTY: 4 (per grate), 8 (total).

40x5mm weaved bar.
QTY: 9 (per grate), 18 (total).

SECTION A-A



NOTE: Two separate grates (not welded together)
make up this product.



ROAD SAFETY GRATING
13 HEALEY RD
DANDENONG SOUTH, VIC 3175
PH: (03) 9238 5888
FAX: (03) 9238 5800
EMAIL: sales@grating.com.au
WEB: www.grating.com.au

Attachments	
a	
b	
c	
d	
e	
f	
g	

Disclaimer
Drawings are provided in good faith and for use by the intended recipient only. Drawings remain the property of Straighmark Nominees Pty Ltd T/A Road Safety Grating (R&S). If this drawing has been received in error, or you are not the intended recipient, please delete it immediately and notify Road Safety Grating. Drawings are not to be transferred to a third party without written consent from Road Safety Grating. Road Safety Grating accepts no liability for misuse of, or reliance on, this drawing. If in doubt about any details on the drawing, please contact Road Safety Grating.

Sheet Information	
No.	Description
1	Grate & Frame Overview
2	Grate & Frame Details
3	
4	
5	
6	

Sheet No.		2 of 2	
Scale			
AS NOTED, ONLY VALID WHEN PRINTED ON A4			
QTY	Part File Name	Part Weight (kg)	Sheets
2	sg-h-msg-ewv9045g1	41.5	1, 2
1	sg-h-msg-ewv9090f1	16.5	1, 2

Title			
Eco-Weaved "V" G&F: 900x900mm P/S, Heavy Duty (Class D), Bolt Down			
Subtitle		Galvanised	
Class Rating (AS3996 - 2006)	D	Product Code	sg-h-msg-ewv9090
Drawing No.	ps_sg-h-msg-ewv9090	Primary Material	Galvanised MS
Version No.	1.0	Previous Versions	Nil
Designed	N/A	Drawn	TH
Date	N/A	Date	31/05/2016
Approved	CT	Date	31/05/2016